

RIGHT ANGLE CABLE GLANDS



Material

Body: PA 6 (Poyamide 6)
 Cap: PA 6 (Polamide 6)
 Seal: CR (Chloroprene Rubber)

Flammability

V2 (According to UL 94)

Protection Class

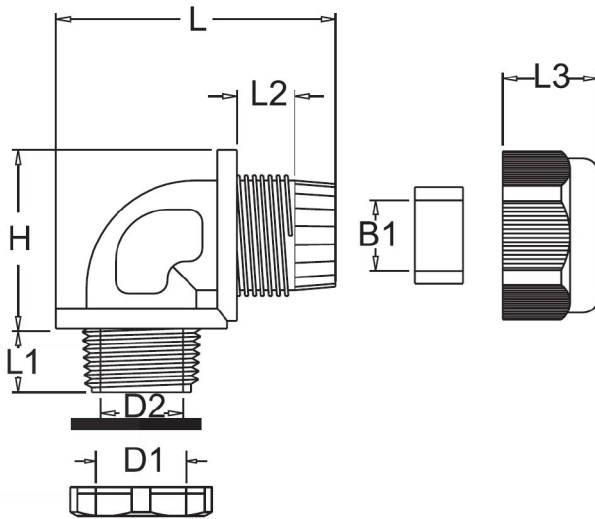
IP68 - 5 Bar (72.5 psi)

Operating Temperature

Permanent: -20°C to +100°C (-4°F to +212°F)
 Intermittent: -30°C to +150°C (-22°F to +302°F)

Thread

ANSI B 1.20.1



NPT Right Angle Gland Specs (mm)

	D1	D2	B1	L1	L2	L3	L	H	Cable Range	Units/Bag
NPT-38-RA	17.0	12.0	9.3	11.7	9.9	16.7	48.5	30	5-9	20
NPT-12	21.2	14.0	14.5	14.7	11.8	18.4	51.6	31.2	10-13	20
NPT-34	26.5	19.2	16.4	14.8	12.6	22.3	64.5	41.6	13-16	20